

30 years of experience & development

Customer-specific solutions with high technical quality
for the functional improvement of traffic areas

RSAG

The RSAG-network



INTERNATIONAL REPARATUR- UND SANIERUNGSTECHNIK AG

Ueli Haldemann
TELEPHONE +41 (0)34 408 40 20
MOBILE +41 (0)79 651 10 69
haldemann@rsag-schweiz.ch

Dietmar Habiger
TELEPHONE +41 (0)34 408 40 20
MOBILE +43 (0)664 39 66 007
habiger@rsag-schweiz.ch

REPARATUR- UND SANIERUNGSTECHNIK MITTE AG
CH-3550 LANGNAU I.E. • GÜTERSTRASSE 5
TELEFON +41 (0)34 / 408 40 20 • FAX +41 (0)34 / 408 40 21
www.rsag-schweiz.ch • mitte@rsag-schweiz.ch

REPARATUR- UND SANIERUNGSTECHNIK NORD AG
CH-8304 WALLISELLEN • HERTISTRASSE 11
TELEFON +41 (0)44 / 839 30 85
www.rsag-schweiz.ch • nord@rsag-schweiz.ch

REPARATUR- UND SANIERUNGSTECHNIK NORD AG / ZN LENZERHEIDE
CH-7078 LENZERHEIDE • DIESCHEN SOT 16 • HAUS CURTSCHIN 206
TELEFON +41 (0)81 / 834 30 85
www.rsag-schweiz.ch • nord@rsag-schweiz.ch

REPARATUR- UND SANIERUNGSTECHNIK NORD AG / ZN DIEPOLDSAU
CH-9444 DIEPOLDSAU • AEUELISTRASSE 1
TELEFON +41 (0)71 / 877 30 85
www.rsag-schweiz.ch • nord@rsag-schweiz.ch

REPARATUR- UND SANIERUNGSTECHNIK NORDWEST AG
CH-4123 ALLSCHWIL • KIESSTRASSE 78
TELEFON +41 (0)61 / 827 90 10 • FAX +41 (0)61 / 827 90 19
www.rsag-schweiz.ch • nordwest@rsag-schweiz.ch

REPARATUR- UND SANIERUNGSTECHNIK AG
CH-3550 LANGNAU I.E. • GÜTERSTRASSE 5
TELEFON +41 (0)34 / 408 40 20 • FAX +41 (0)34 / 408 40 21
www.rsag-schweiz.ch • info@rsag-schweiz.ch

REPARATUR- UND SANIERUNGSTECHNIK ZENTRAL AG
CH-6032 EMMEN • SEETALSTRASSE 216
TELEFON +41 (0)41 / 490 06 66 • FAX +41 (0)41 / 490 06 67
www.rsag-schweiz.ch • zentral@rsag-schweiz.ch

RSAG OUEST
CH-1004 LAUSANNE • AV. DE SÉVELIN 32A
TELEFON +41 (0)79 / 652 57 42 • FAX +41 (0)34 / 408 40 21
www.rsag-schweiz.ch • ouest@rsag-schweiz.ch

RISANAMENTO SUD SA
CH-6802 RIVERA • CP 567
TELEFON +41 (0)91 / 946 36 21 • FAX +41 (0)91 / 946 36 66
www.rsag-schweiz.ch • sud@rsag-schweiz.ch

REPARATUR- UND SANIERUNGSTECHNIK RHONE AG
CH-3900 BRIG • SCHINERSTRASSE 8
TELEFON +41 (0)27 / 924 26 26 • FAX +41 (0)27 / 924 21 92
www.rsag-schweiz.ch • rhone@rsag-schweiz.ch

www.rsag-schweiz.ch

Successful system tests:
At BAM Berlin and EMPA Dübendorf

- Movement absorption heat/cold/vibrations
- Rut formation (up to + 60 °C)
- Thousands of metres of practical experience



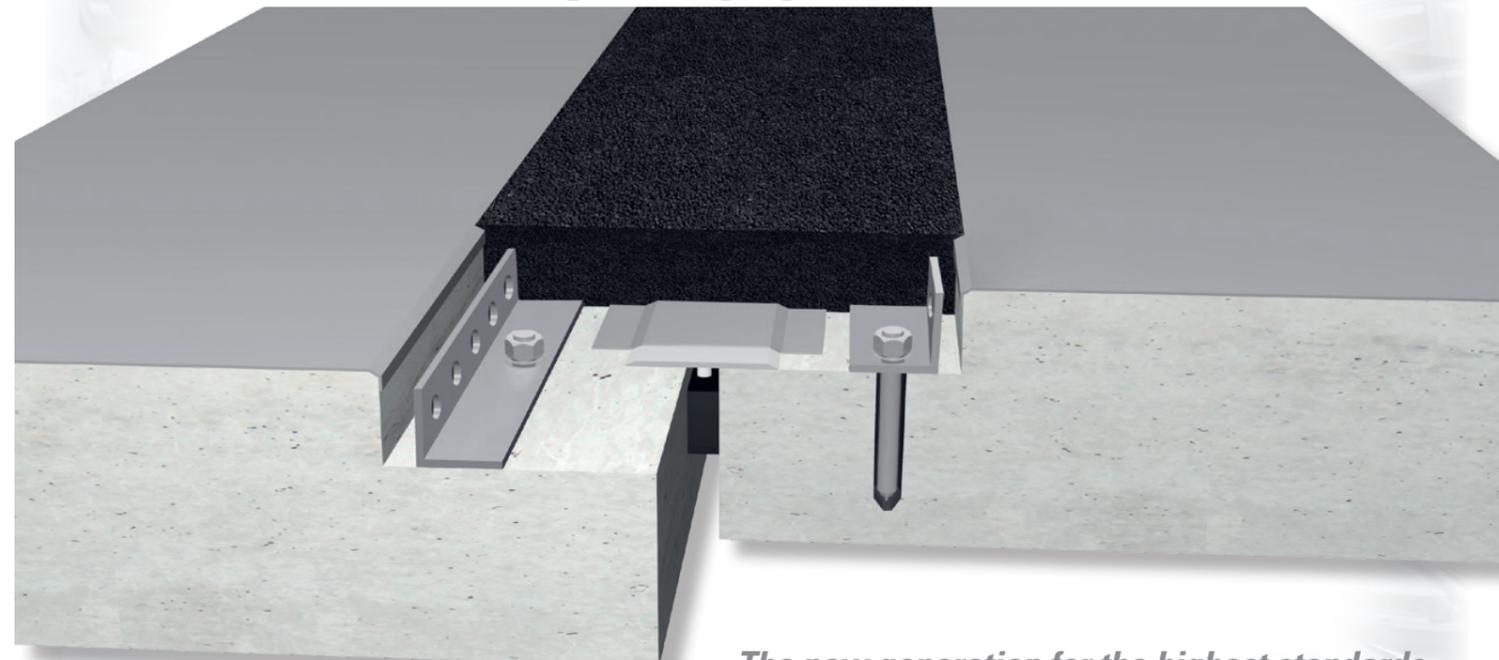
Expansion joints and dilatation joints in a class of their own

RESA-JOINT® 2 a further development by RSAG,
of the successful RESA-JOINT® system.

The new 2nd generation!

- RESA-JOINT® 2:**
the fastest setting PU bridge-joint
- Open to traffic after 3 hours of application!
 - From a single source from planning to installation.
 - 30 years of Swiss innovation.

RESA-JOINT® 2



The new generation for the highest standards
The expansion joint made of high-performance polymer (HPP 2)



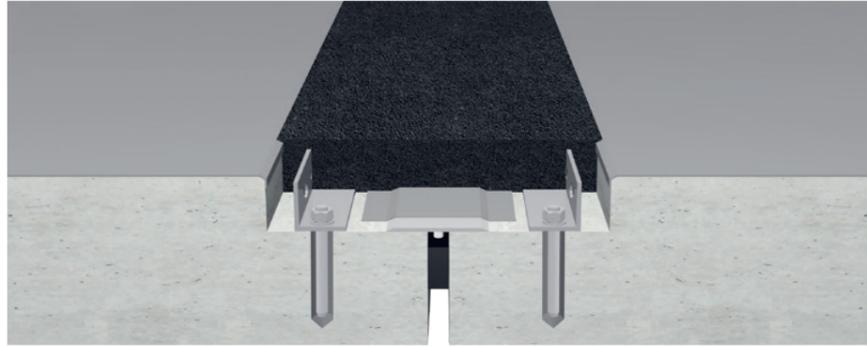
RSAG-network
Highly efficient & knowledgeable
www.rsag-schweiz.ch

RESA-JOINT® 2

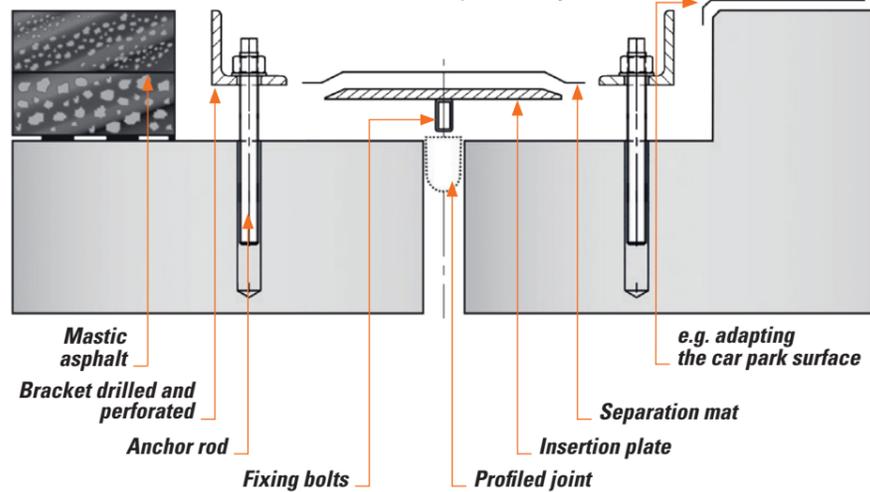
for use in bridge construction and structural engineering

RESA-JOINT® 2

the standard version without spread construction for movements up to 30 mm

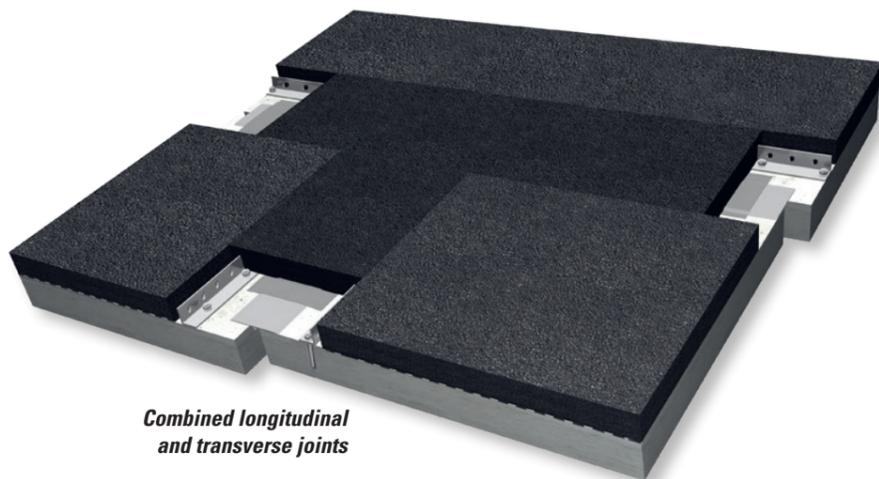


Construction of the RESA-JOINT® 2 expansion joint



RESA-JOINT® 2

Special solutions with or without spread construction



The true art of bridge construction is demonstrated in the creation of expansion joints which generate the lowest possible noise when driven over.

The physically induced movements place particularly high quality requirements on the expansion joint construction and the overall structure

Applications:

For dilatations in bridge building and structural engineering which have to absorb movements of up to 30 mm at right angles and oblique angles to the direction of travel, the RESA-JOINT® 2 system has been used most successfully. Also for special solutions e.g.

- Combined longitudinal and transverse joints or for
 - Connections to walls and borders
- the seamless RESA-JOINT® 2 system is the ideal flexible connection between dilating structural elements.

Engineering:

The seamless RESA-JOINT® 2 system from high-performance polymer (HPP 2) stands out because of the high level of stability and low restoring forces.

Requirements:

The system RESA-JOINT® 2 has passed all relevant component and system tests according to EAD 120011-01-0107. Extensive tests were carried out by EMPA and BAM. The system has been tested for a 15 years working life category, the ETA (European Technical Assessment) process has already started. The installation shall be done by appropriate trained employees strictly according the manual.

RESA-JOINT® 2

the new generation

- Open to traffic after 3 hours of application!

with the following advantages:

- Cold application, no emergence of dust and smoke
- Low restoring forces
- Short installation time
- Seamless system, low noise and high level of comfort when driving over
- Length independent application
- Maintenance free
- Also suitable for structures with higher levels of vibration.
- Long service life and high level of resilience
- Safety aspects, high level of working safety

RSAG



The joint cavity is put in carefully or recessed in concrete

The joint cavity is cleaned by sand blasting

Positioning and installation of the steel bracket

Positioning of the insertion plate above expansion gap.

Laying of the separation mat on insertion plate

Pouring high-performance polymer (HPP 2) into the joint cavity

The joint mates with the road and car park surfaces seamlessly

Can also be used for raised edges and aprons

Versions:	Installation width mm	Thickness mm		*Movement capacity mm
		min.	max.	
RESA-JOINT® 2	150-500	30-70		≤30

*Calculation according to guideline ASTRA 12 004 (2011, chapter 2)